

# Technical Data Sheet

Date: 04/26/2022

## 1x16A Rubber Plug

Ref. No: 3101-301-0300



Pack Unit

40



Weight

61 gr.



## Technical Informations

Version	German (DIN)
Ampere	16A
Voltage	250 V. AC
Protection Class	IP 44
Number Of Poles	3 (2P + E)
Contact Material	Nickle Plated
Contact Carrier	PC / Polycarbonate
Plastic Material	Thermoplastic Elastomer
Connection Type	Screw
Operation Temperature	-15 / +70 (±2)



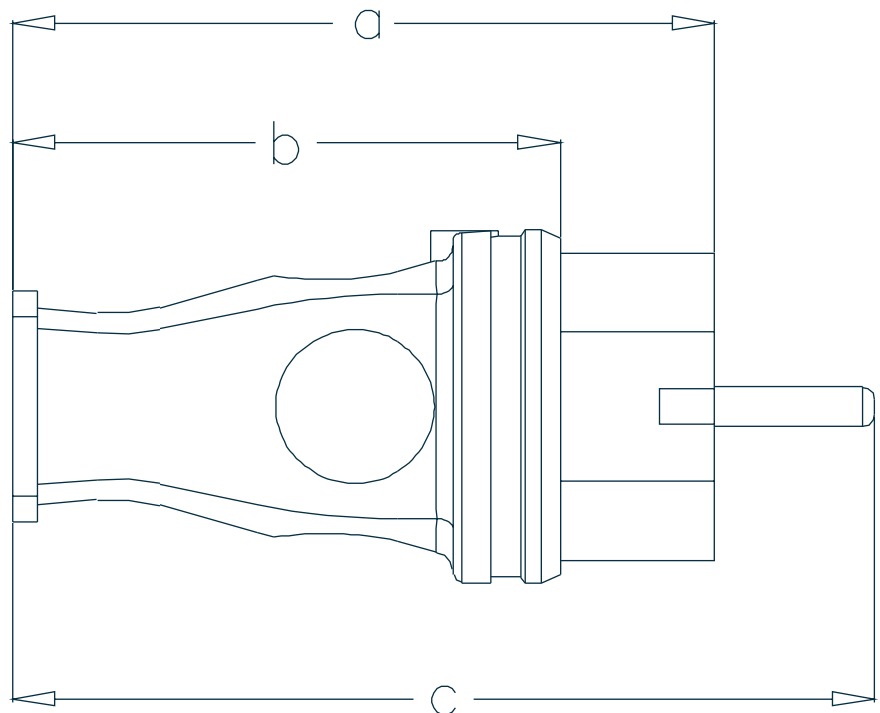
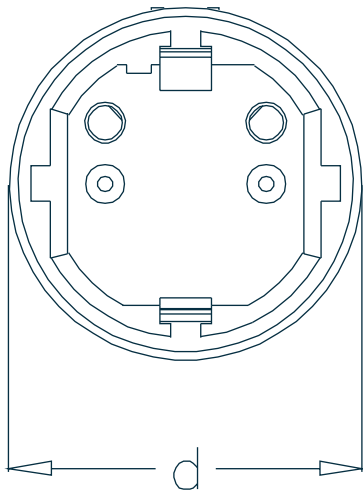
Compliance with European Union 2011/65 /EU RoSH Directives



TS IEC 60884-1 / TS 40 NATIONAL

## Dimensions

a	83
b	65
c	102
d	42



Tel: +90 232 880 90 01  
Fax: +90 232 880 90 02



info@tpelectric.com.tr



Kemalpaşa O.S.B. 600 Sk. No:364  
35730 Kemalpaşa - İZMİR / TÜRKİYE